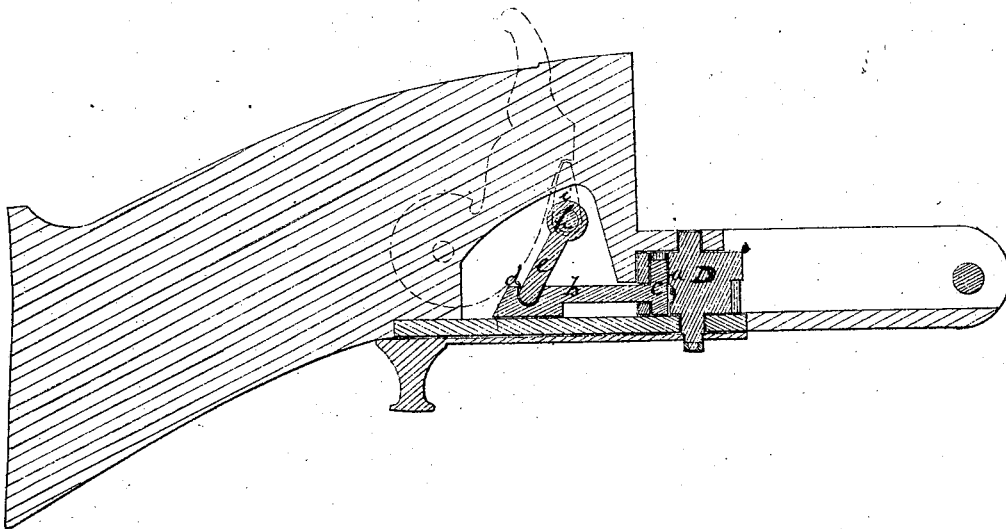


E. L. SARGENT.

Breech-Loading Fire-Arm.

No. 104,502.

Patented June 21, 1870.



Witnesses
M. E. Clinton
G. O. Brown

Edward L. Sargent
Inventor by
Geo. E. Brown Atty

United States Patent Office.

EDWARD L. SARGENT, OF WATERTOWN, NEW YORK.

Letters Patent No. 104,502, dated June 21, 1870.

IMPROVEMENT IN BREECH-LOADING FIRE-ARMS.

The Schedule referred to in these Letters Patent and making part of the same.

To all whom it may concern:

Be it known that I, EDWARD L. SARGENT, of Watertown, in the State of New York, have invented a new and useful Improvement in Breech-loading Fire-Arms; and I do hereby declare that the following is a full, clear, and exact description of the same, reference being had to the accompanying drawing and letters of reference marked thereon making a part of this specification, in which—

Figure 1 is a sectional elevation.

This invention is an improvement over that for which Letters Patent No. 100,445, dated March 1, 1870, were granted me, and relates to the mechanism for setting the hammers at half or quarter cock.

In my former invention the mechanism for this purpose consists of a cam-groove in the rotating cam-piece; a pin, one end of which is received in said cam-groove, and which slides in the breech; an arm extending downward from the transverse shaft which bears the cocking-finger; and a spring which "serves at all times to hold the arm with a yielding pressure against the pin."

To enable those skilled in the art to make and use my invention, I now proceed to describe its construction and operation.

Similar letters in the drawing refer to like parts.

My present invention consists of a bar sliding freely in the breech, from which a pin projects, into a recess in the rotating cam-piece, and which is transversely grooved in its upper side near its opposite extremity, into which groove the arm of the transverse shaft which bears the cocking-finger extends, by which arrangement the spring of the former mechanism is dis-

pensed with, and the movement of the cocking-finger made positive in both directions, so that it may be made to operate the hammers either when the sliding bar is moved backward or when it is drawn forward.

In the drawing—

D is the rotating cam-piece;
a, the recess made vertically in the same;
b, the sliding bar;
c, the pin projecting from the sliding bar into the recess a;
d, the transverse groove of the bar;
e, the arm extending downward into the groove d from the transverse shaft h; and
i, the cocking-finger.

This mechanism is much less liable to get out of order than the other, owing to the absence of the spring, which, in the former apparatus, effects the forward throw of the sliding bar, and to the connection of such bar with the cam-piece in such a manner that the latter produces every movement of the former.

What I claim as new, and desire to secure by Letters Patent, is—

The combination of the cocking device with the rotating cam-piece by means of the sliding bar, when the latter is so connected with the cam-piece as to be directly operated in all its movements thereby, substantially as described.

E. L. SARGENT.

Witnesses:

JNO. C. MCCARTIN,
ANSON B. MOORE.